



## UNIVERSAL PLATFORM MOUNT: MTS 2.0



The **Universal Platform Mount: MTS 2.0** (UPM) provides an easy to use and reliable exterior vehicle shock mount with a innovative quick lock and release system, enabling a MTS 2.0 or multiple other communications systems to be attached / detached securely, quickly and easily across a wide variety of land and water-based platforms.

The shock-dampening mounts are internally contained within a robust mechanical housing helping to reduce vibration and shock to the main unit, whilst a platform is in motion to assist and aid optimal communications links.

Built to enable easy multiple vehicle platform mounting, including the use of a wide variety of COTS OEM vehicle roof bars for temporary fit use cases, as well as permanent 'Bolted' or 'Welded' fit installations.

The **UPM** is built for rugged environments and designed for wind loading of up to 145 MPH.

The rugged universal platform mount is the solution for attaching your MTS 2.0 system to any platform..

### SPECIFICATION

**MATERIAL-** Zinc plated and stainless steel construction.

**FINISH-** Satin Black

**MOUNTING INTERFACE-** MTS 2.0 SYSTEM:  
**VEHICLE MOUNTING METHOD -**  
TEMP FIT (COTS -ROOF RACK BOLTED)  
PERM FIT (WELDED OR BOLTED)

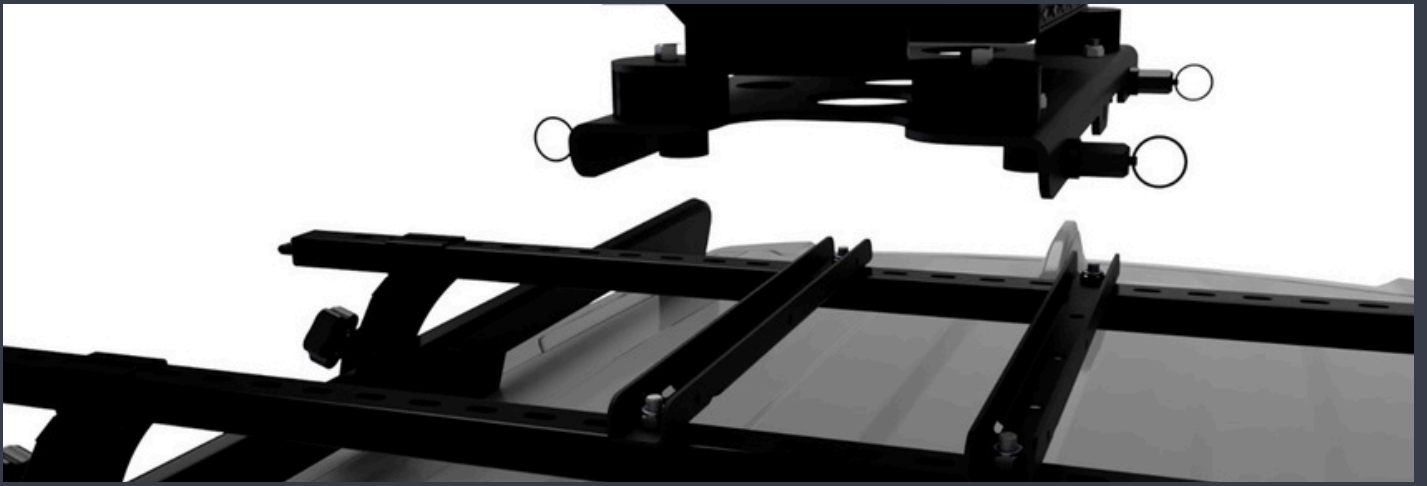
**LATERAL LOAD -** 630NM (Equivalent to 145MPH Wind Load)

**MASS/ WEIGHT -**8KG

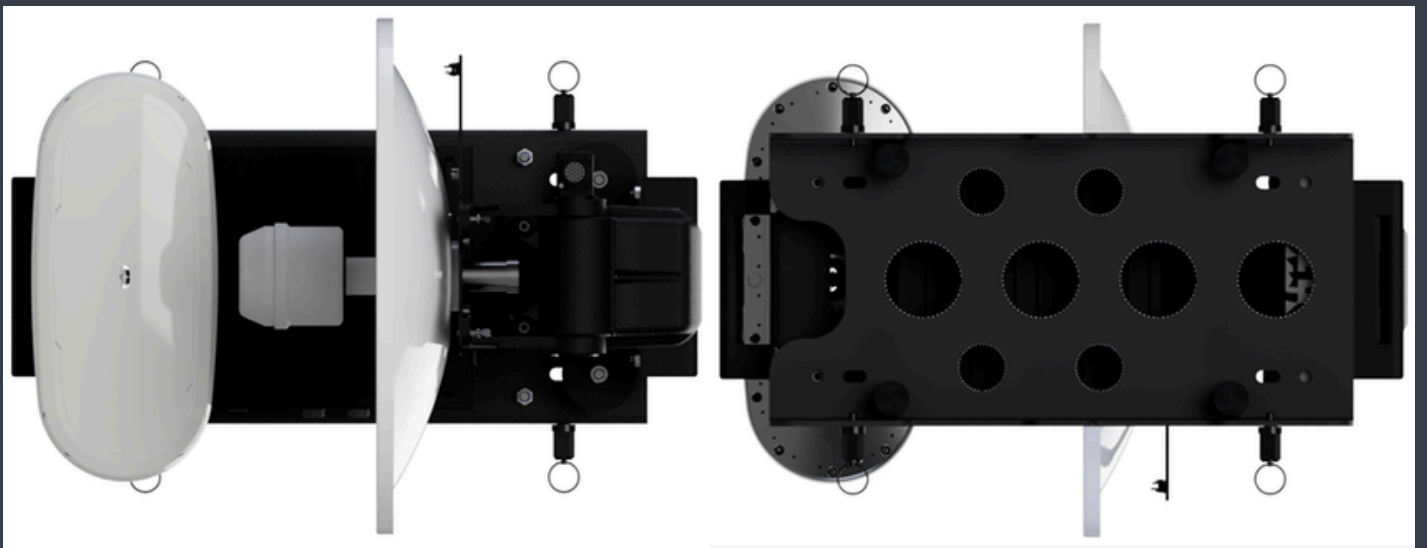
**ENVIRONMENTAL RATING -**IP67

**OPERATION-** Pull and rotate pins to lock and un-lock frame to lift off the MTS2.0



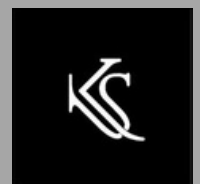


To remove the MTS2.0 from the Universal Platform Mount:  
Simply rotate and retract each of the four ring locking pins to remove the MTS2.0 unit from the platform mount.



**#Staykinected**

**Contact us**



 01425 561792

 [INFO@KINECTEDSOLUTIONS.CO.UK](mailto:INFO@KINECTEDSOLUTIONS.CO.UK)

 [KINECTEDSOLUTIONS.CO.UK](http://KINECTEDSOLUTIONS.CO.UK)